

# KIRTON PRIMARY SCHOOL

## TERM 3 NEWSLETTER 2024



### YEAR 1

January 2024

Dear Parents and Carers

Hello and welcome to Spring Term in Year 1 at Kirton Primary School. This term will bring lots of new and exciting challenges to your child's learning experience.

#### **Our Topic**

##### *Term 3: Great Inventions*

In History this term, we will be stepping back in time and learning all about how the invention of transport helped to shape the world we now live in. We will be researching great inventors, such as; The Wright brothers, The Stephenson family and Richard Trevithick. Whilst we wonder about what it was like to invent an incredible flying machine, we will be building our very own. In Design and Technology, we will be designing and making lunch boxes. In Science this term, we will be experimenting and with materials and identifying their properties. We will be carefully considering how the material's property determines its suitability for everyday objects. This will help us to select the appropriate materials needed for our hot air balloons.

#### **Maths and English**

In mathematics, the children will be learning about: addition and subtraction problems with money, 3D shapes, counting in 2s, 5s and 10s, grouping, sharing, measurements and number bonds to 10. The children will be encouraged to apply their skills to word problems relating to money and measure.

In order to support your child, you could practice number bonds to 10 using the attached number bonds to 10 game. Alongside this, reciting number facts for the 2x, 10x and 5x tables in various orders will support the development of instant recall. This will also help them to complete this a section of their Passport of Achievement record. You can also explore 3-D shapes by completing the attached 3D nets.

It would really support your child if they were confident with their times tables. This would help them in all areas of maths. This term your child needs to become confident in recalling multiplication facts for the 2s, 10s and 5 times tables. Online interactive games such as 'Hit The Button' can be a fun way for children to practise their instant recall. You can find it here: <https://www.topmarks.co.uk/maths-games/hit-the-button>

In English, we will be learning about character descriptions, information texts, recipes, poems, setting descriptions and fairy tale narratives.

In order to support your child, you could write a setting description of a special place using adjectives. Perhaps your child would enjoy creating a fact file about their favourite mode of transport or inventor, such as Henry Ford or Karl Benz.

The spellings your child will be learning this term can be accessed through our school website. It would be really useful if you could help your child to learn these spellings.

#### **Reading**

Please encourage your child to read at home every day and ask them questions about what they are reading at every opportunity.

We aim to change books as often as possible and we will check your child's reading records regularly, so please ensure reading books and records are in school daily. Please ensure you are using these to log your child's reading. Once your child has read their books once, to improve fluency, we encourage children to re-read the same text again. The first time they read their book, they will be using their skill of decoding to blend sounds to read the words. Reading it a second time, will give children the opportunity to demonstrate a more fluent pace, whilst

# KIRTON PRIMARY SCHOOL

## TERM 3 NEWSLETTER 2024



### YEAR 1

also encouraging their understanding and promoting confidence in their reading.

Your child may bring a water bottle to school. Please ensure the bottle is clearly named and only contains water.

#### **PE**

Year 1 classes all have P.E. on a Monday and Wednesday. Please ensure that your child has the appropriate PE kit. For outdoor games, the children need plain black/navy tracksuit bottoms, a plain white t-shirt, a plain sweatshirt and trainers. For indoor PE, the children need plain black/navy shorts, a plain white t-shirt and plimsolls. Every item needs to be clearly labelled and in a bag that will remain in school every day. Kits will be taken home to be washed at the end of each term. No items should be taken home during the term.

#### **Homework**

Homework is set on a Friday and will continue to support your child's education. It will include weekly spellings. If there are ever any problems about the homework, please come to speak to us as soon as possible.

#### **Important Dates**

- 03.01.24 – First day of term 3
- 06.02.24 – Parents' Evening face-to-face
- 07.02.24 – Parents' Evening via telephone
- 09.02.24 – Last day of term 3
- 19.02.24 – First day of term 4

**Please note: after school clubs for Term 3 will start from Monday 8<sup>th</sup> January.**

Yours sincerely

Miss Wells    Mrs Lewis    Miss Ilsley  
**Year 1 Class Teachers**

Station Road, Kirton, Boston, Lincolnshire PE20 1HY

Tel: 01205 722236

Email: [enquiries@kirton-boston.lincs.sch.uk](mailto:enquiries@kirton-boston.lincs.sch.uk)

# KIRTON PRIMARY SCHOOL

## TERM 3 NEWSLETTER 2024



YEAR 1

### HOW YOU CAN SUPPORT YOUR CHILD'S LEARNING THIS TERM:

Key things parents can do to support their child this term related to things they will be learning about:

- Useful websites: BBC Recipes, TopMarks Mental Maths and Phonics Play.
- Things to make: 3D shapes, inventor/transport fact file and number bonds to 10 game.



Station Road, Kirton, Boston, Lincolnshire PE20 1HY

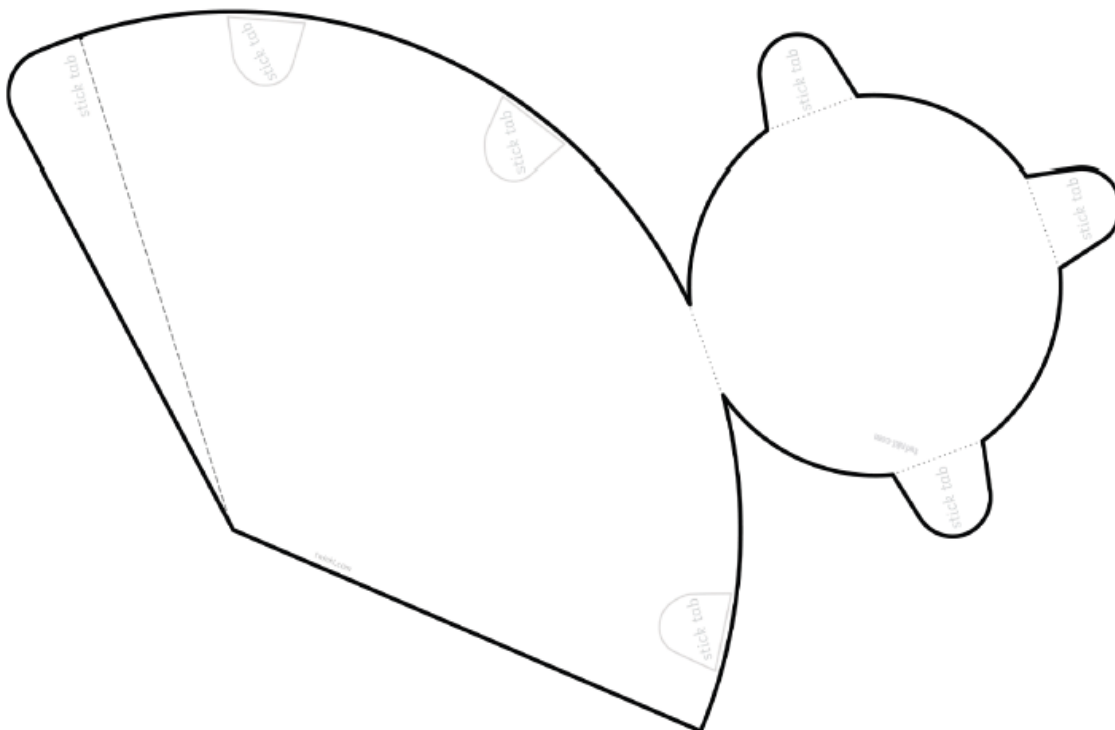
Tel: 01205 722236

Email: [enquiries@kirton-boston.lincs.sch.uk](mailto:enquiries@kirton-boston.lincs.sch.uk)

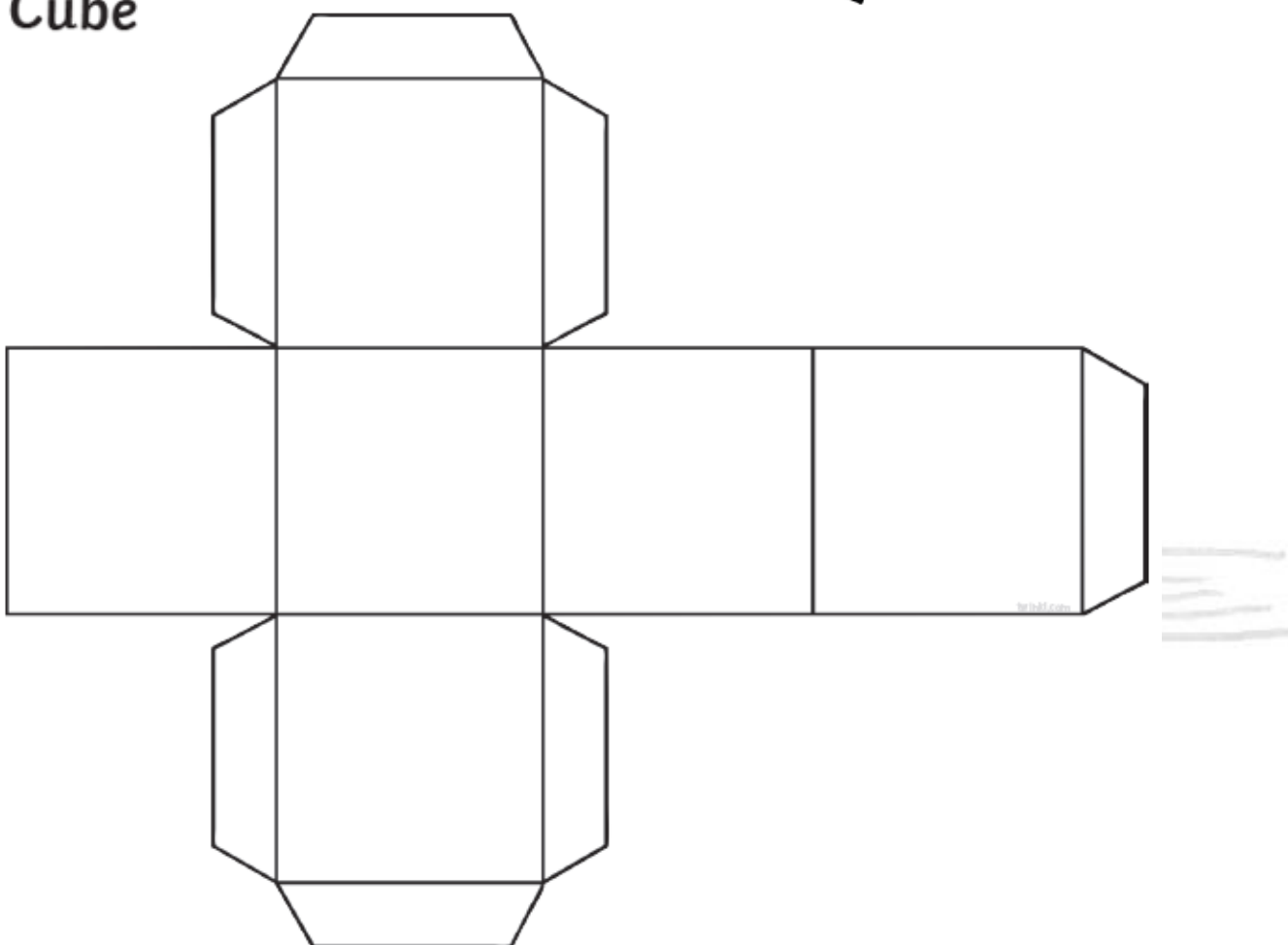


YEAR 1

Cone



Cube

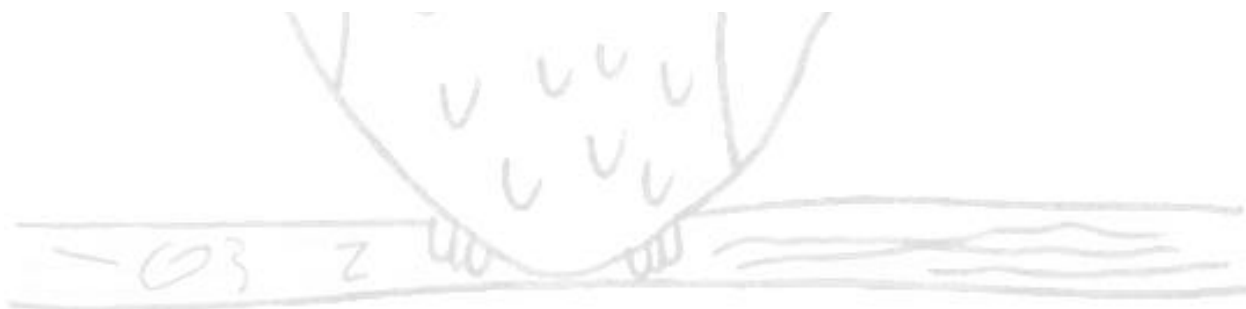
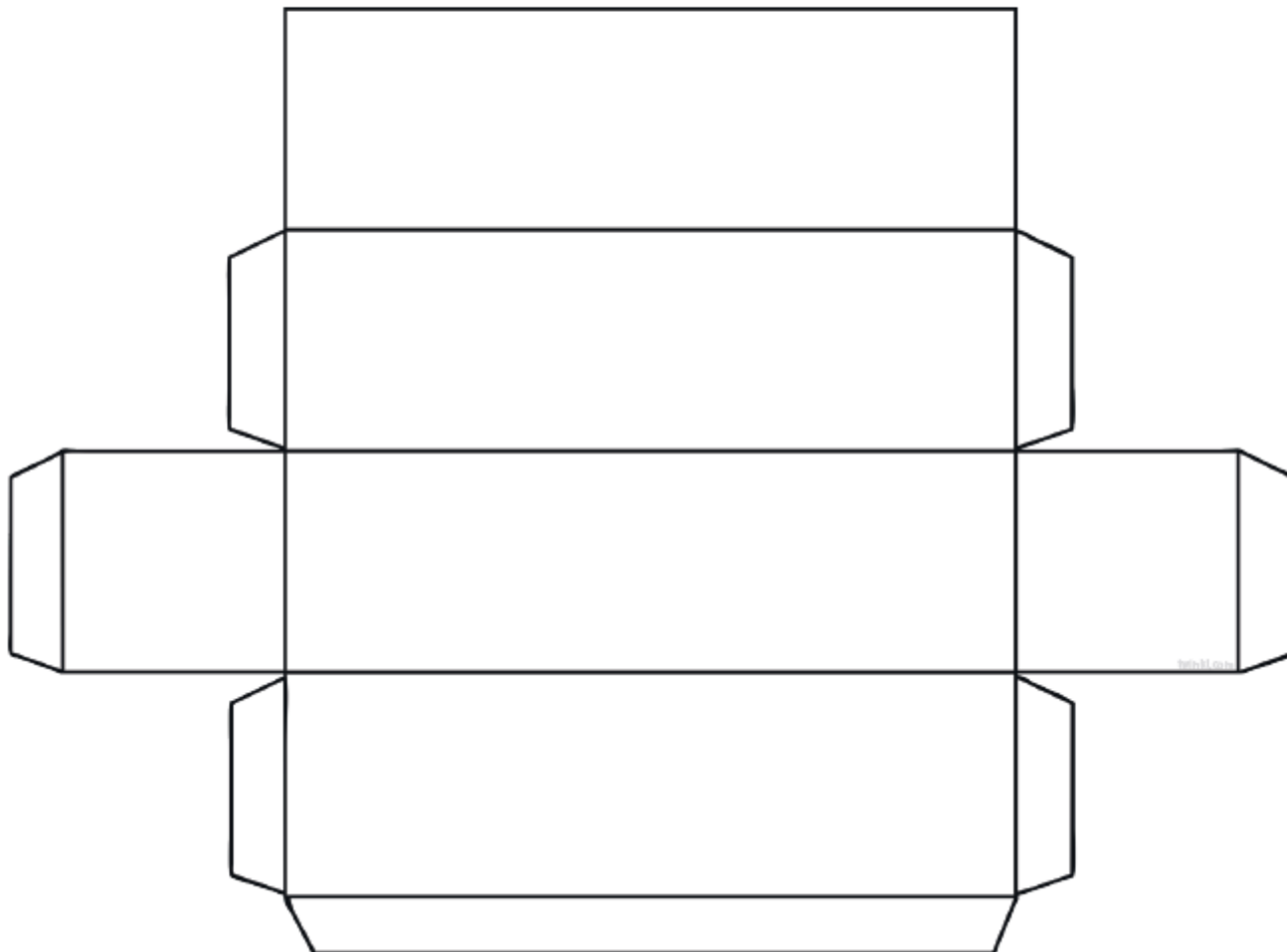






YEAR 1

## Rectangular Prism





### YEAR 1

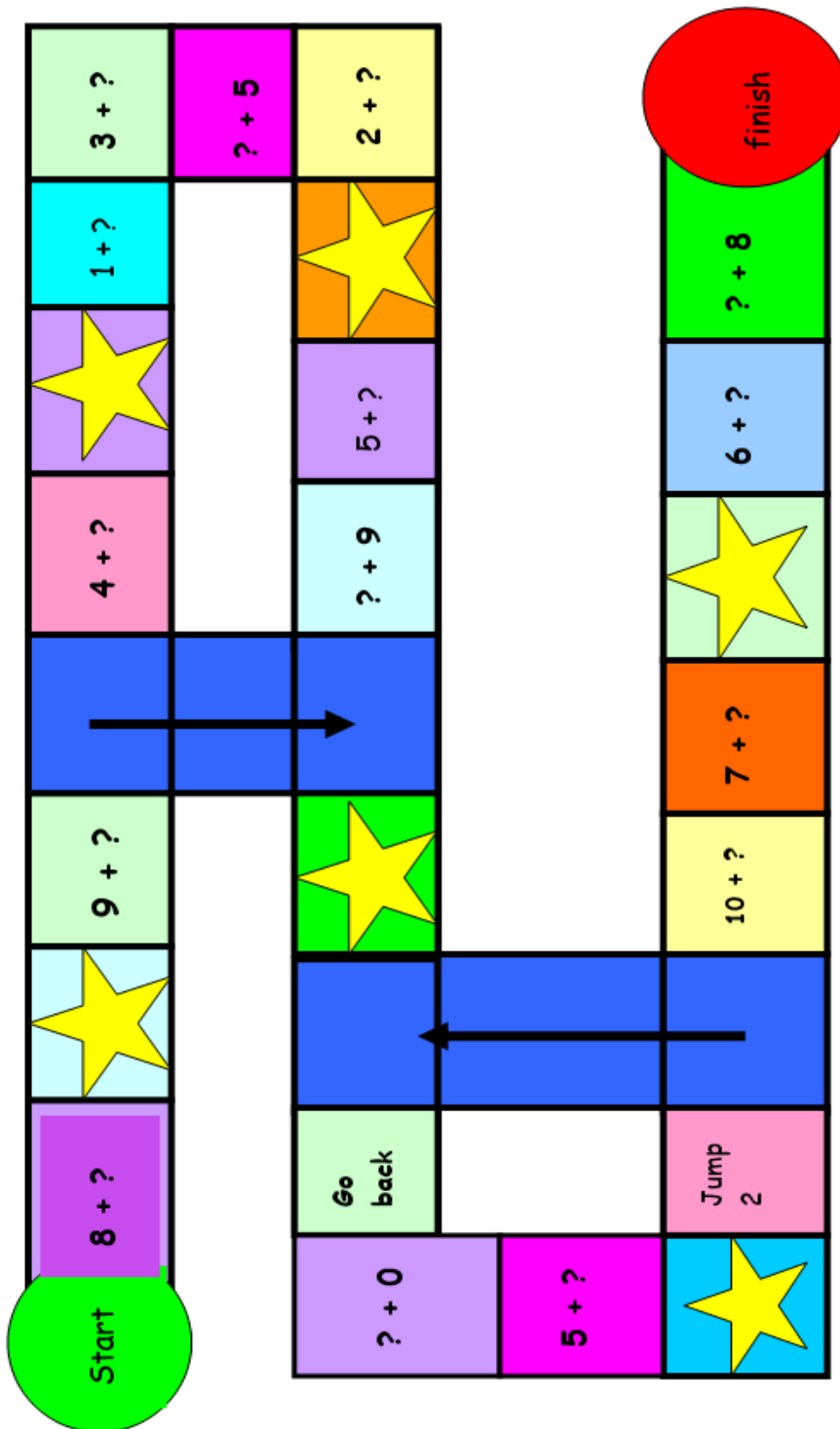
#### Number bonds game

Number Bonds to 10

Roll the dice and answer the addition question. Get it wrong and you miss a turn! Land on a star and you get another go!

Who will be the first to the finish line?

Good luck!





YEAR 1

## Fact File

Full Name: \_\_\_\_\_

\_\_\_\_\_

Date of Birth: \_\_\_\_\_

\_\_\_\_\_

Place of Birth: \_\_\_\_\_

\_\_\_\_\_

Famous for: \_\_\_\_\_

\_\_\_\_\_

\_\_\_\_\_

\_\_\_\_\_

\_\_\_\_\_

\_\_\_\_\_

\_\_\_\_\_

\_\_\_\_\_

\_\_\_\_\_

\_\_\_\_\_

\_\_\_\_\_

\_\_\_\_\_

Who were they? \_\_\_\_\_

\_\_\_\_\_

\_\_\_\_\_

\_\_\_\_\_

\_\_\_\_\_

Their life: \_\_\_\_\_

\_\_\_\_\_

\_\_\_\_\_

\_\_\_\_\_

\_\_\_\_\_